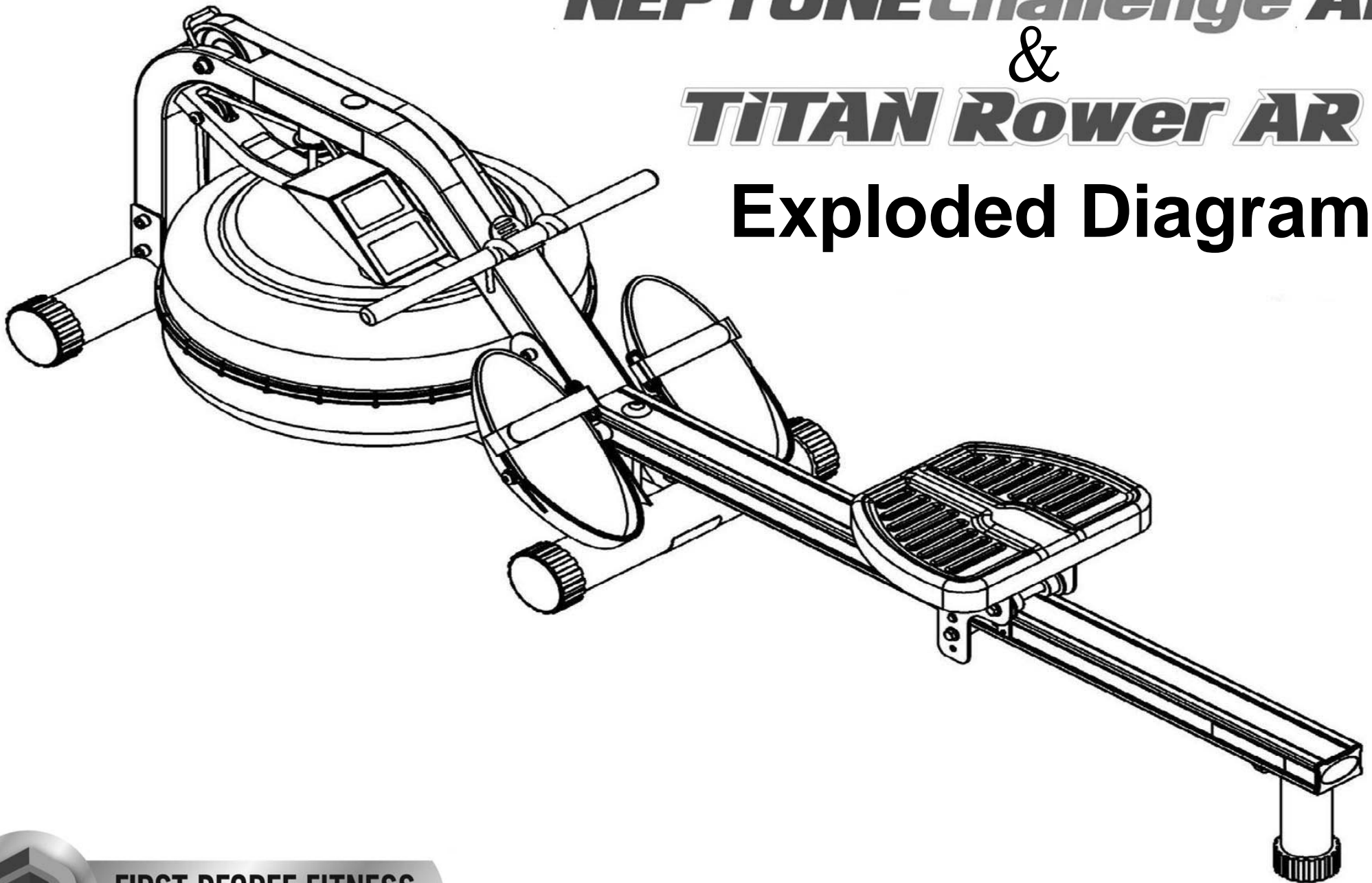


NEPTUNE Challenge AR

&

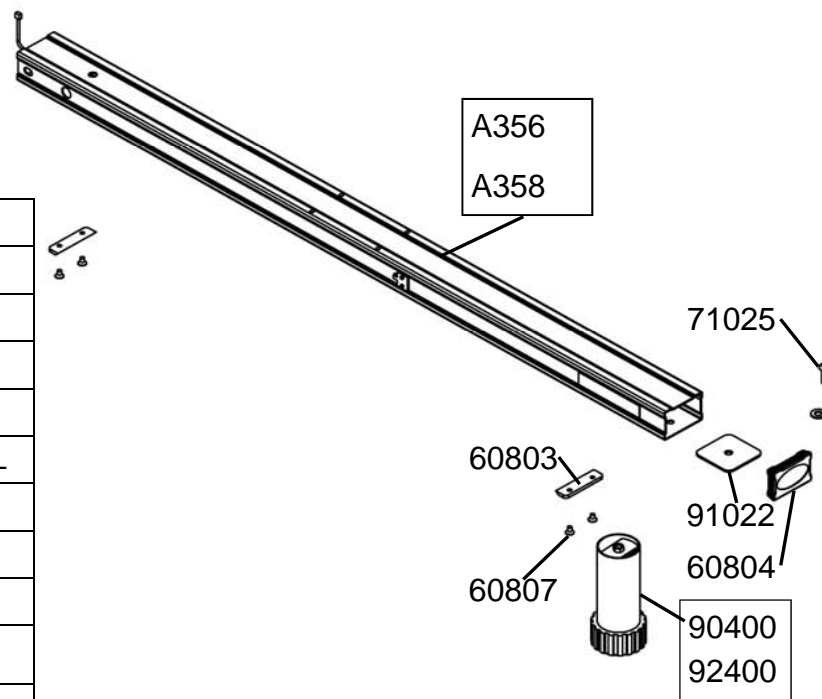
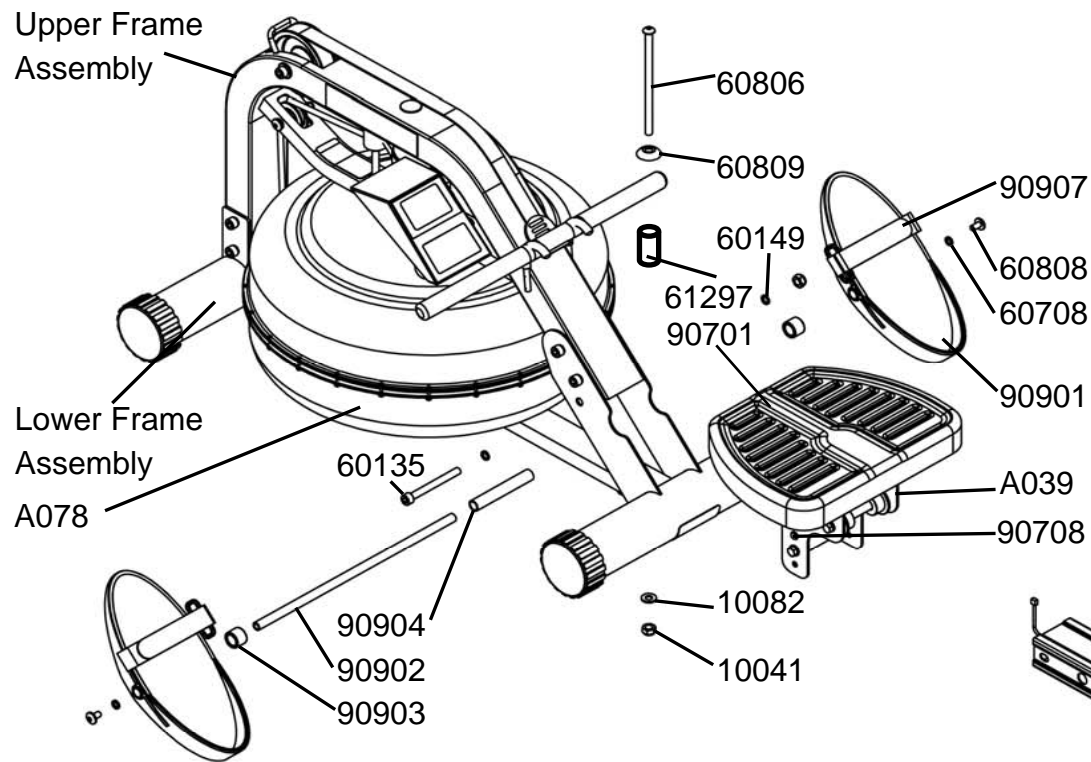
TITAN Rower AR

Exploded Diagram

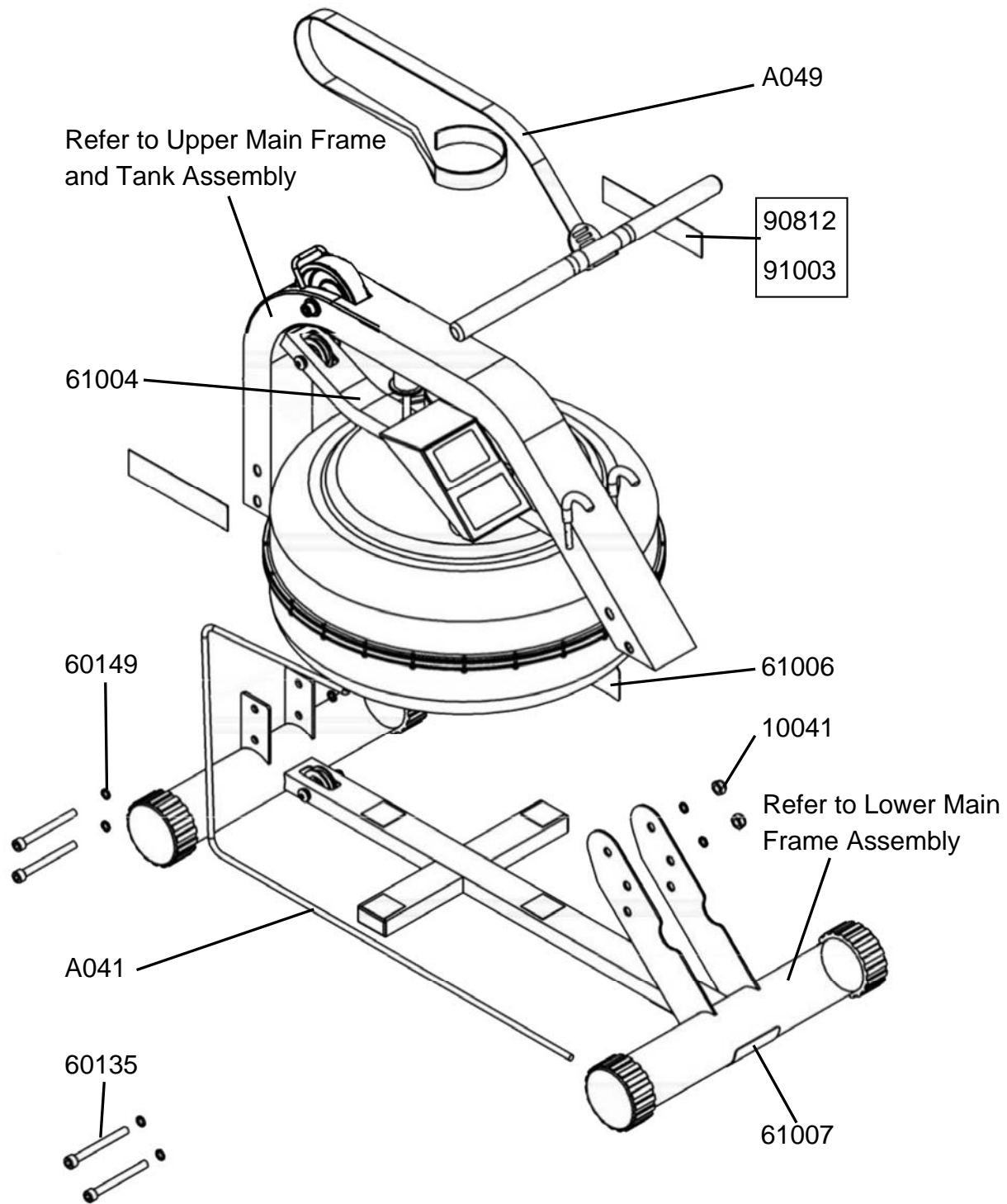


FIRST DEGREE FITNESS
FLUID INNOVATION

www.firstdegreefitness.com

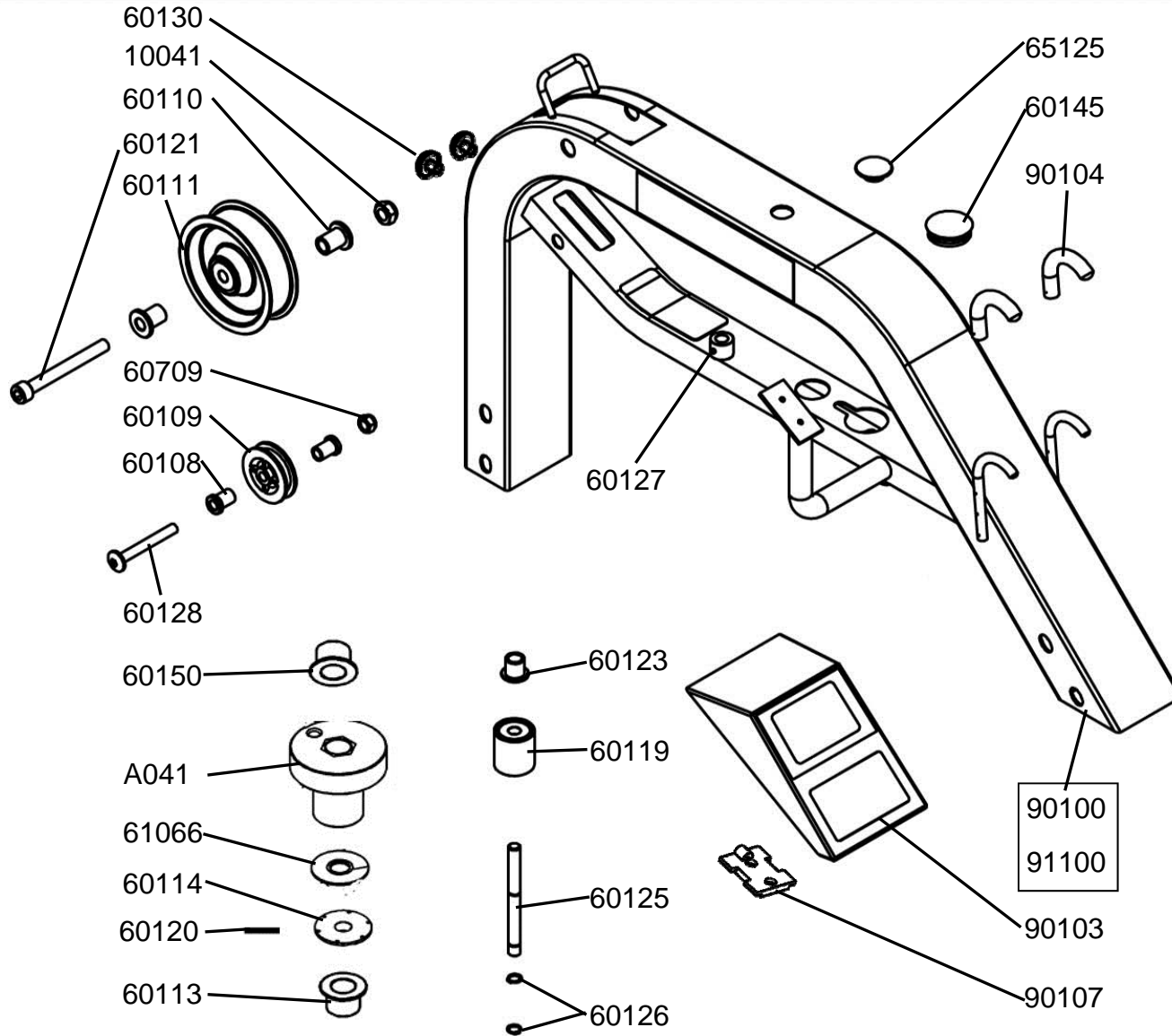


10041	2	Nylock Nut M10	90701	1	Seat - LS-E22
10082	2	Washer M10x21x2	90708	1	Round Magnet
60135	1	Hex Head Bolt M10x95	90901	2	Plastic Footplate - NEPAR/TTNAR
60149	2	Spring Washer M10 5x7x2	90902	1	Footplate Axle 12mmx388
60708	2	Washer M8x19x1.6	90903	2	Footplate Spacer Nylon D25xD17x19L
60803	2	Rubber Bump Stop - Seat Rail	90904	1	Internal Footplate Spacer 17mmx1.5Tx110L
60804	1	Seat Rail End Cap 75x50	90907	2	Velcro Foot Strap for NEPAR / TITAN
60806	1	Dome Head Bolt M10x180	91022	1	Seat Rail Internal Support Bracket
60807	4	Counter Sunk Bolt M6x10	92400	1	Rear Leg for TITAN
60808	2	Dome Head Bolt M8x15	A039		Seat Wheel Assembly
60809	1	Plastic Dome Cap 10mm	A078		AR Tank Complete Assembly
61297	1	Vertical Seat Rail bolt dampener	A356		Seat Rail Set Complete - NEPAR
71025	1	Dome Head Bolt M10x25	A358		Seat Rail Set Complete - TITAN
90400	1	Rear Leg for NEPAR			



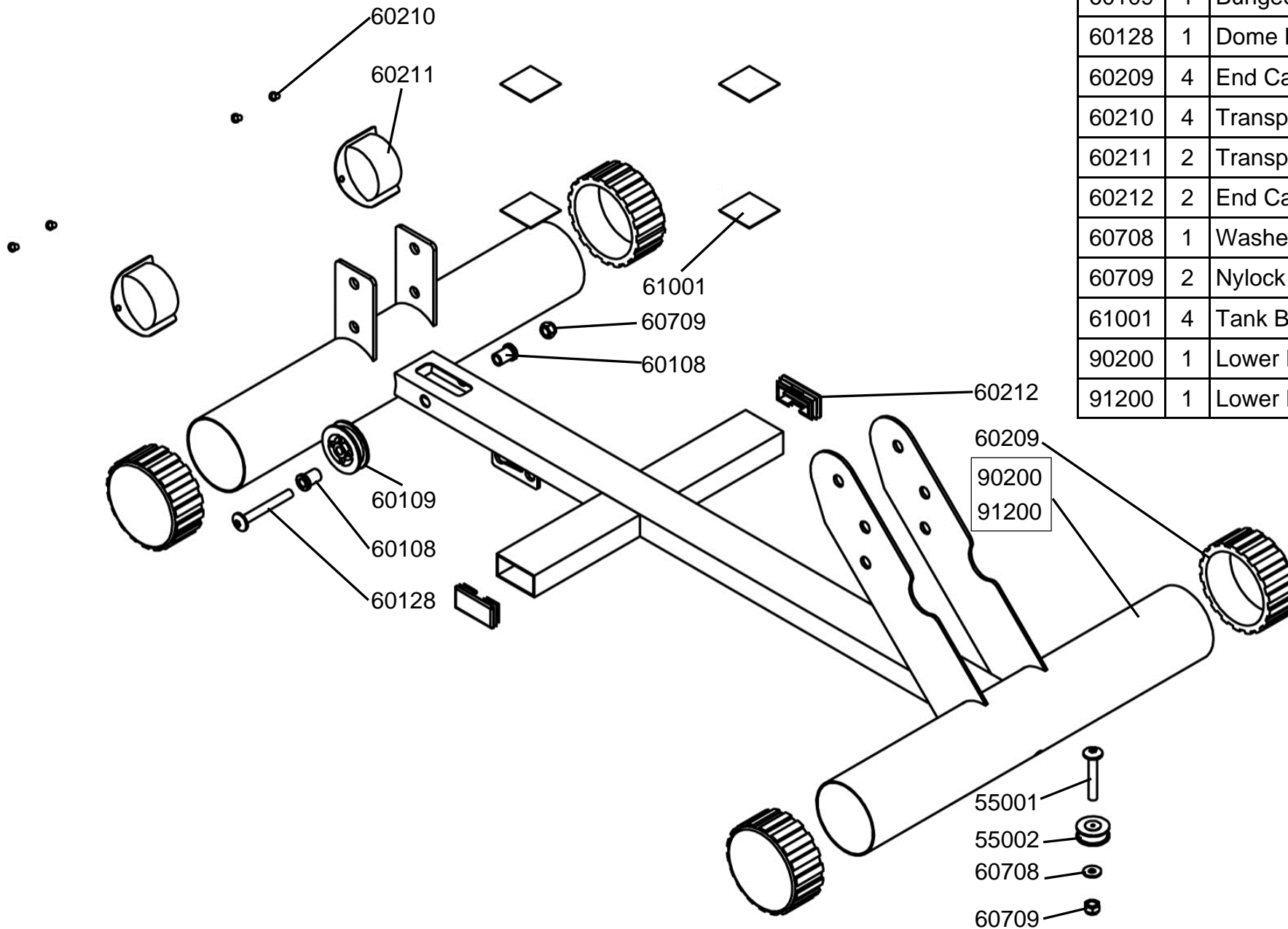
10041	4	Nylock Nut M10
60135	4	Hex Head Bolt M10x95
60149	8	Spring Washer M10 5x7x2
61004	1	Main Frame Upper Warning Decal - Orange
61006	1	Decal - HS Tank Level
61007	1	Main Frame Lower Warning Decal - Tank
90812	2	Decal - Neptune Challenge
91003	2	Decal - Titan Rower AR
A049		Rower Handle Complete

Upper Main Frame



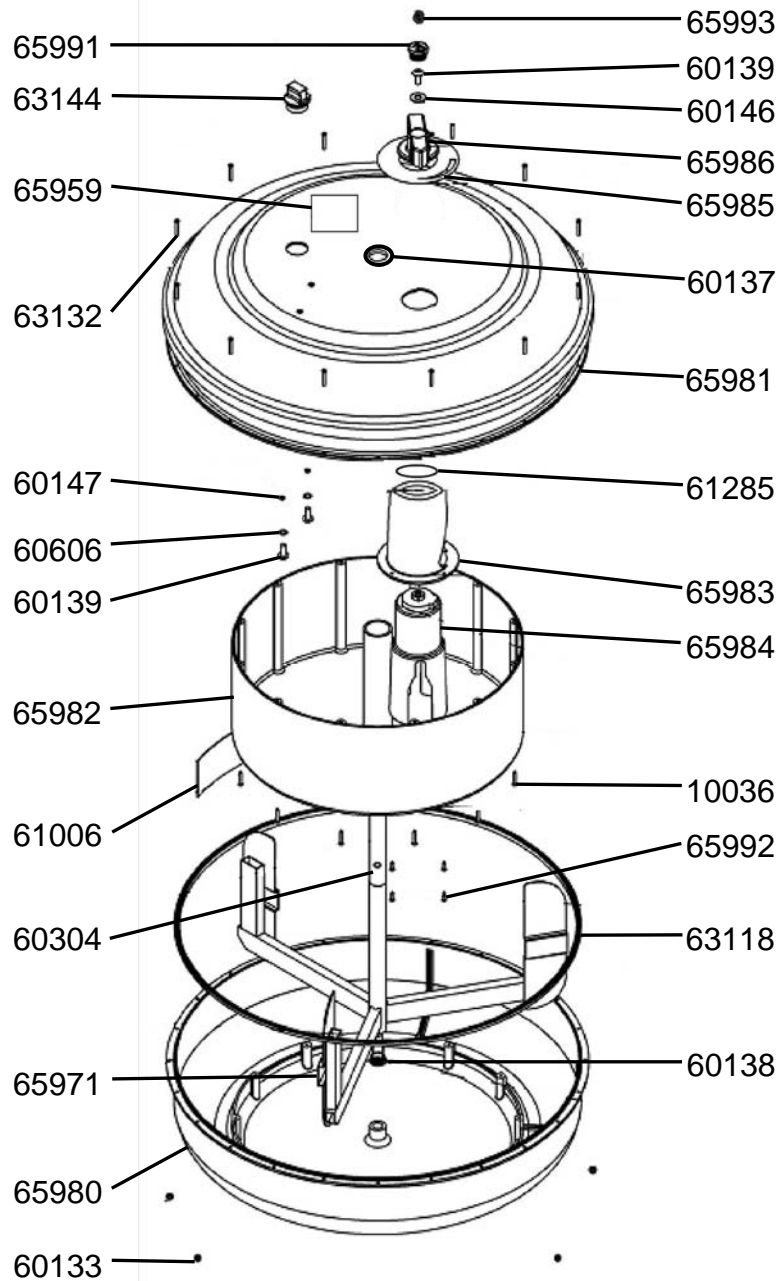
10041	1	Nylock Nut M10
60108	2	Bungee Pulley Spacer 8mm
60109	1	Bungee Pulley 50mm
60110	2	Belt Pulley Spacer 10x24x23
60111	1	Belt Pulley 100mm & 2x Bearing #60112
60112	2	Belt Pulley Bearing 6000ZZ
60113	1	Main Shaft Oil Bushing - Lower 38x20x22
60114	1	Magnet Ring & 6 x Magnet #60124
60119	1	Idle wheel & 2x Bearing #60112
60120	1	Roll Pin M6x30
60121	1	Hex Head Bolt M10x90
60123	1	Idle Shaft Upper Frame Mount 10mm
60125	1	Idler Pulley Shaft
60126	2	C Clip 10mm
60127	1	Grub Screw M4x6 same as 10052
60128	1	Dome Head Bolt M8x65
60130	2	Frame Rubber Bumper
60145	1	Frame Plug 38.1mm
60150	1	Main Shaft Nylon Bushing - Upper
60709	1	Nylock Nut M8
61066	1	Plastic Washer M5920.1x2T
65125	1	Rubber End Cap - Main Frame
90100	1	Upper Frame - NEPAR
90103	1	Computer for Neptune
90104	2	Rubber Hook Cover
90107	1	Computer Plastic Spacer
91100	1	Upper Frame - TTNR
A041		Belt Bungee Pulley Complete Kit

Lower Main Frame



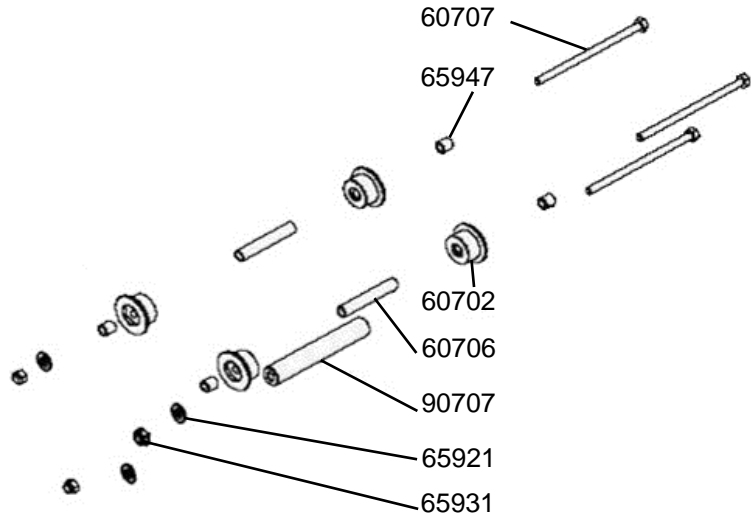
55001	1	Dome Head Bolt M8x50
55002	1	Small pulley 8mmx31.5mm
60108	2	Bungee Pulley Spacer 8mm
60109	1	Bungee Pulley 50mm
60128	1	Dome Head Bolt M8x65
60209	4	End Cap 76.2mm Round
60210	4	Transport Wheel Fastener
60211	2	Transport Wheel 76.2
60212	2	End Cap 25x50mm
60708	1	Washer M8x19x1.6
60709	2	Nylock Nut M8
61001	4	Tank Bonding Strip 3M-VHB
90200	1	Lower Frame - NEPAR
91200	1	Lower Frame - TTNAR

A078—AR Tank Complete Assembly



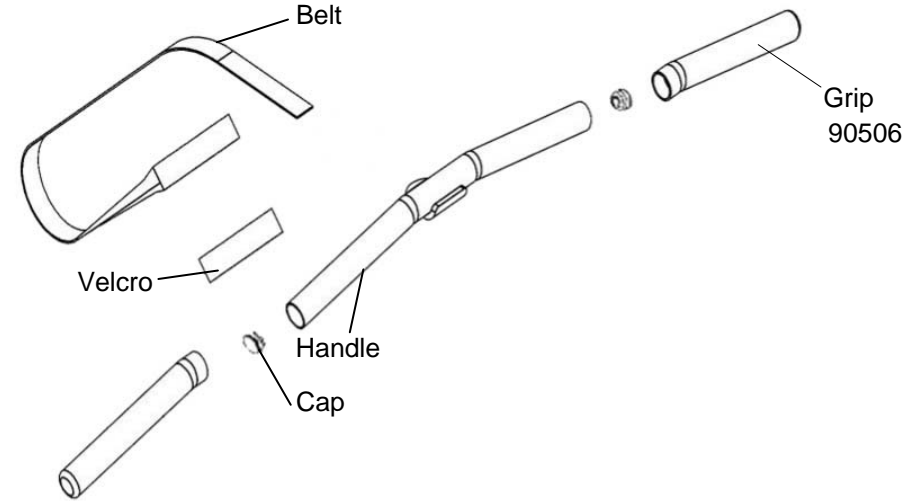
10036	12	Counter Sink Tapping Screw M3x20-SUS
60133	12	Nylock Nut M3-SUS
60137	1	Tank/Mainframe Impeller Shaft Spacer 19.9x40
60138	1	Impeller End Cap
60139	3	Tank Internal Screw M6x15 -SUS
60146	1	Washer M6x16x1-SUS
60147	2	O Ring 9.5x6.5x1.5
60304	1	Flywheel Upper Shaft
60606	2	Plastic Spacer M6x15x25-B
61001	1	Tank Bonding Strip 3M-VHB
61006	1	Decal - HS Tank Level
61285	1	Rubber Spacer
63118	1	Tank Large Ring Seal - Yellow 499x5.8
63132	12	Allen Key Bolt-M3x20—SUS
63144	1	Tank Plug For HS Tank
65959	1	Decal - How to Adjust Resistance
65971	1	Impeller - AR
65980	1	Lower Tank Shell
65981	1	Upper Tank Shell—Outer
65982	1	Inner Reserve Tank Shell / AR
65983	1	Tank Adjuster Outer Cup
65984	1	Tank Adjuster Inner Cup
65985	1	Decal - AR Resistance
65986	1	Adjuster Knob
65991	1	End Cap-Adjuster Knob
65992	4	Counter Sunk Bolt M3x12-SUS
65993	1	Decal - FD Knob 18mm

A039 Seat Wheel Assembly—Challenges



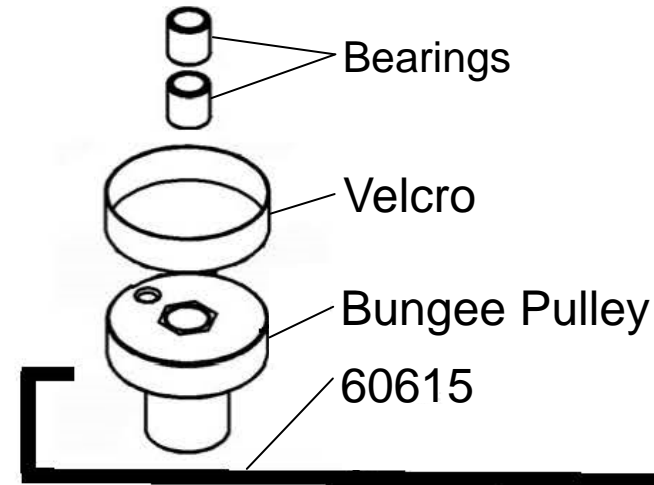
60702	4	Seat Wheel - HS
60706	2	Inner Axle Bushing Long
60707	3	Hex Bolt M8x120mm
65921	3	Washer M8.5x19x1.6t - B
65931	3	Nylock Nut M8 -B
65947	4	Seat Wheel Short Spacer 12.7x8.1x13 - B
90707	1	Lower Seat Wheel Axle Spacer

A049 Handle Complete



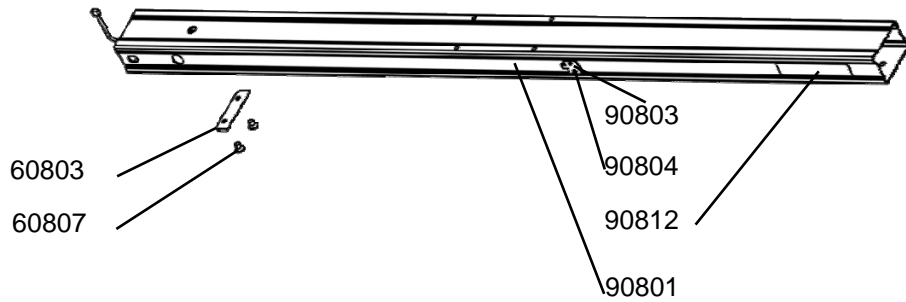
90506	1	Handle Grip
-------	---	-------------

A041 Belt Bungee Pulley Complete



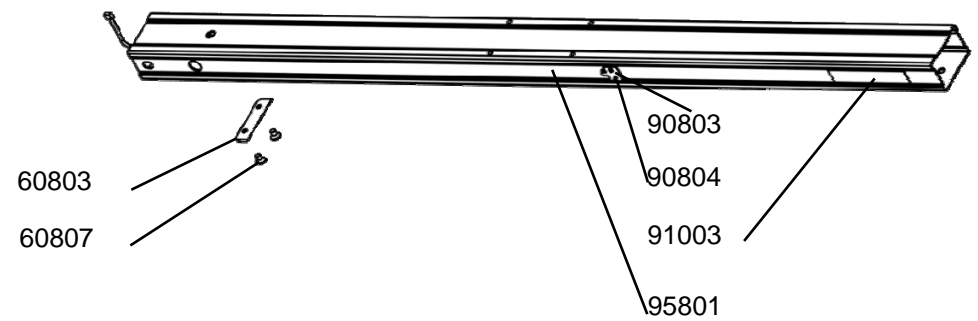
60900	1	Belt Bungee Pulley Complete & Velcro & One Way Bearings#90136
60615	1	Bungee Cord 8mmx1950 & Crimped #60617 & Tie #61008

A356 Seat Rail Set Complete –NEPAR



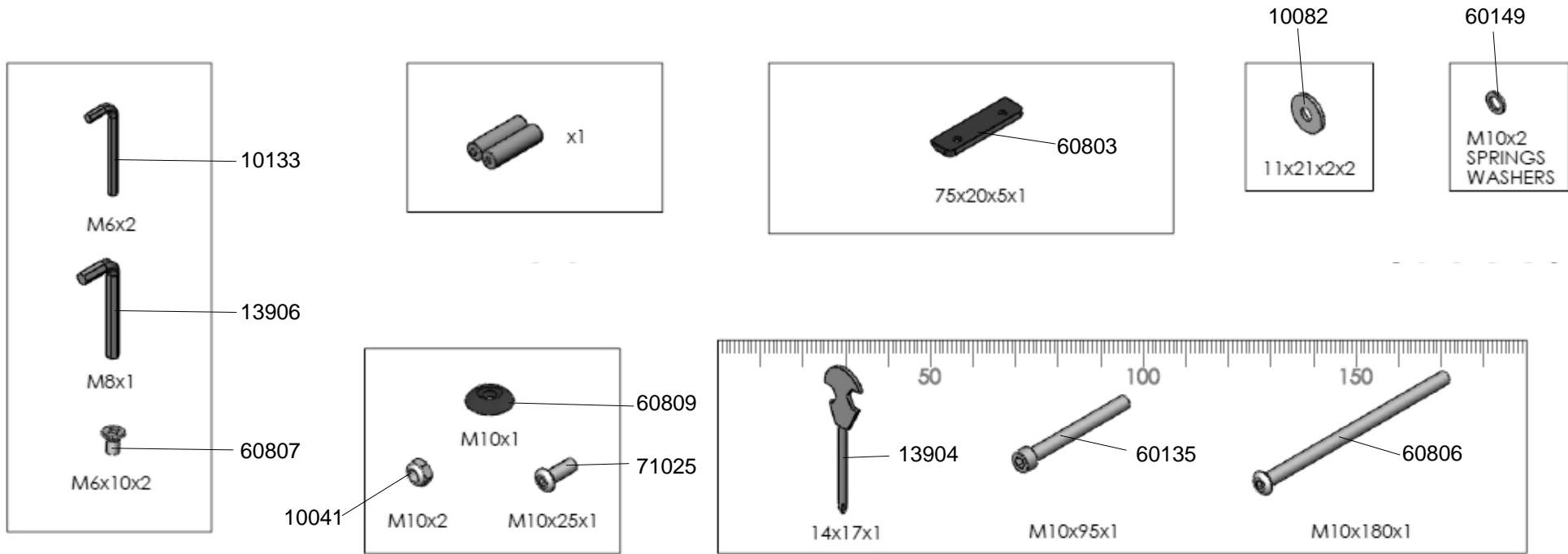
60803	1	Rubber Bump Stop - Seat Rail
60807	2	Counter Sunk Bolt M6x10
90801	1	Seat Rail for NEPAR
90803	1	Sensor & Lead
90804	2	Sensor Mounting Screw M3x8
90812	2	Decal - Neptune Challenge

A358 Seat Rail Set Complete –TTNAR



60803	1	Rubber Bump Stop - Seat Rail
60807	2	Counter Sunk Bolt M6x10
90803	1	Sensor & Lead
90804	2	Sensor Mounting Screw M3x8
91003	2	Decal - Titan Rower AR
95801	1	Seat Rail for TTNAR

HNEP Hardware Kit—NEPAR



10041	2	Nylock Nut M10
10082	2	Washer M10x21x2
10133	2	Allen Key 6mm
13904	1	Multi-Tool
13906	1	Allen Key 8mm
60135	1	Hex Head Bolt M10x95
60149	2	Spring Washer M10 5x7x2
60803	1	Rubber Bump Stop - Seat Rail
60806	1	Dome Head Bolt M10x180
60807	1	Counter Sunk Bolt M6x10
60809	1	Plastic Dome Cap 10mm
71025	1	Dome Head Bolt M10x25
N/A	2	AA Battery